

Securing two pieces of wood

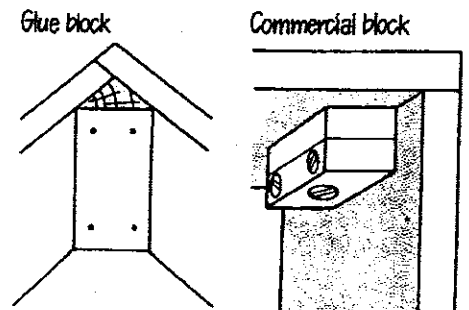
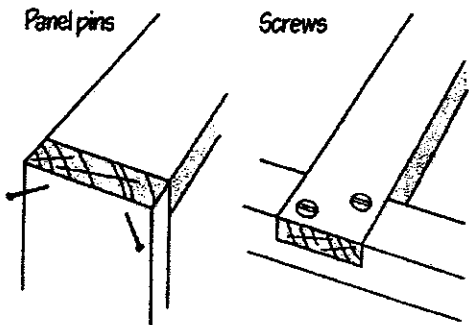
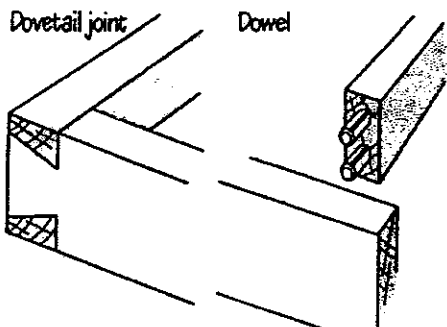
STANLEY

© Stanley Tools Limited, Sheffield S3 9PD

How many methods are there?

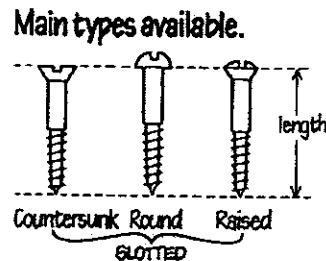
1. Joints
2. Dowel
3. Nailing
4. Screwing
5. Adhesive
6. Commercial joining blocks

CAN YOU LIST ANY MORE?



Screws and screwdrivers

Main types available.



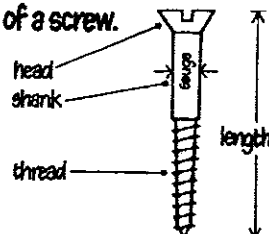
See how many types you can find.



Pozidriv - very efficient
Stanley Pozidriv
screwdrivers fit
Supadriv screws.

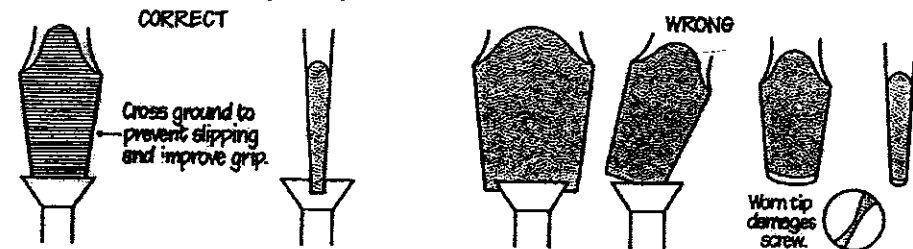


Parts of a screw.

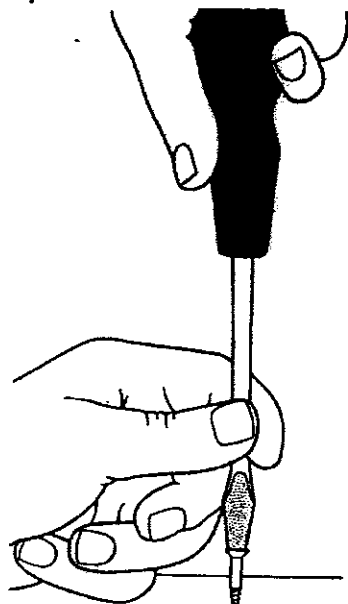


SIZE OF SCREW - length and gauge no. which is the width of the shank.

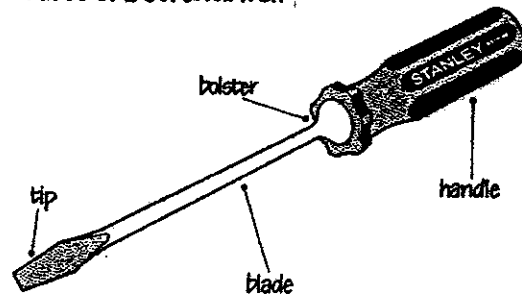
To drive a screw correctly the tip must fit.



Driving a screw is a two hand operation.

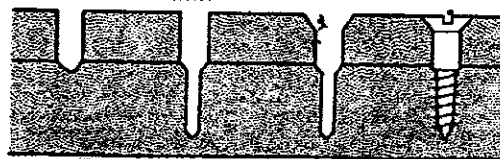


Parts of a screwdriver.



Before a screw is inserted.

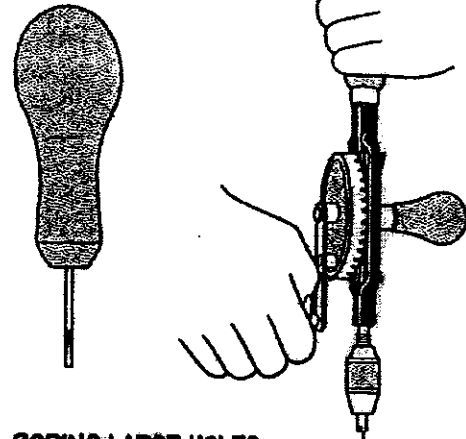
1. Locate and bore shank hole.
2. Bore thread hole.
3. Countersink.
4. Insert.



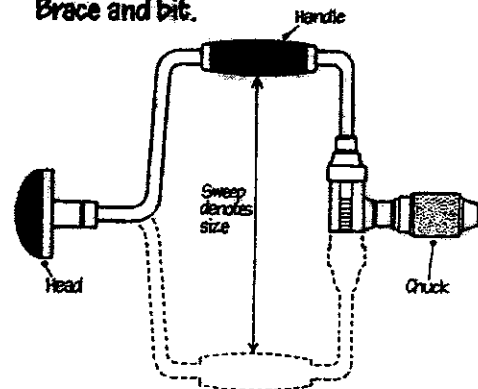
Boring a hole

BORING SMALL HOLES.

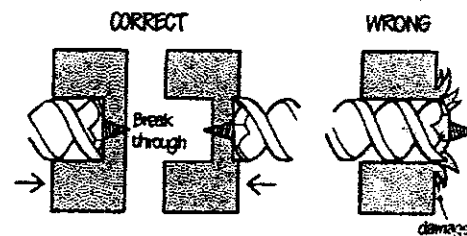
Use either
Bradawl or Hand Drill



BORING LARGE HOLES.
Brace and bit.



Method of use (horizontal or vertical).



Bore both sides to middle... do not go straight through.