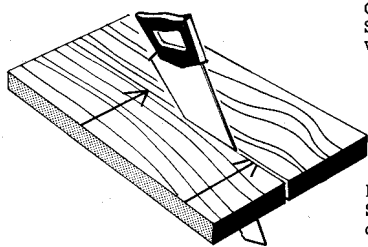


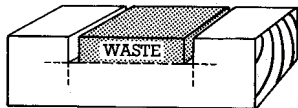
SAWS

23 How to use a Saw – Part 1

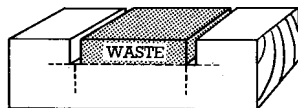
Which side of the line to cut? – Saw to the waste side



CORRECT:
Saw cut is to waste side of line



INCORRECT:
Slot will end up oversized

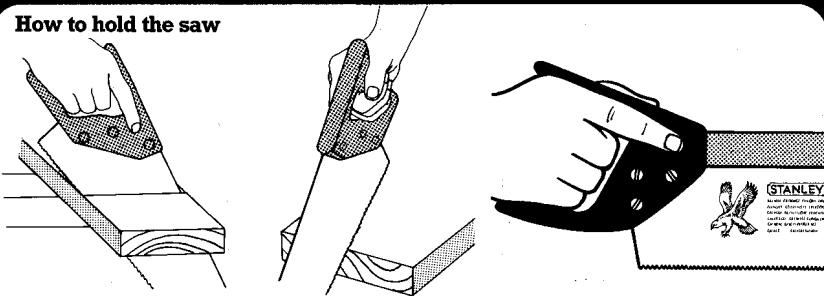


ON LINE WRONG SIDE OF LINE

USEFUL HINT: Shading or marking the waste area helps to prevent mistakes.

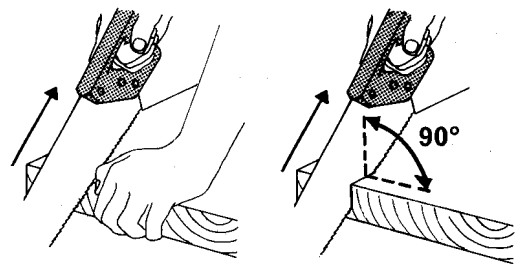
Mark an arrow against the scribed or pencilled line to remind yourself on which side to saw.

How to hold the saw



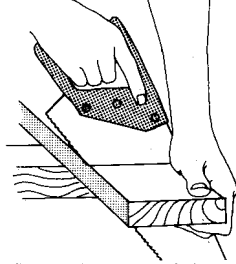
Whatever pattern of hand or back saw you use, note the position of the first finger. This helps balance and gives better control

How to start the cut



Start the cut by drawing the saw backwards a few times. Use your thumb as a steady gauge for this initial cut. Ensure the saw is square to the wood.

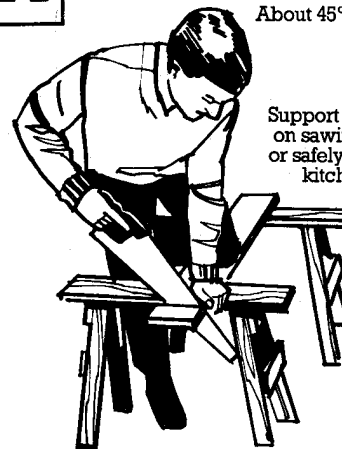
How to end the cut



Support the waste with the other hand and make slow, careful strokes to prevent the waste breaking off, leaving a jagged edge.

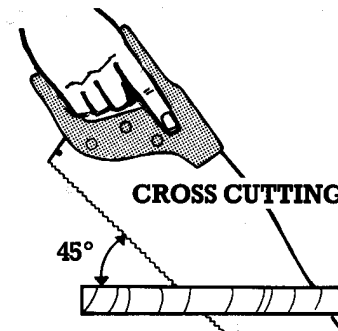
SAWS

24 How to use a Saw – Part 2



About 45° is the correct angle for cross-cut sawing

Support the wood on sawing horses or safely between kitchen chairs

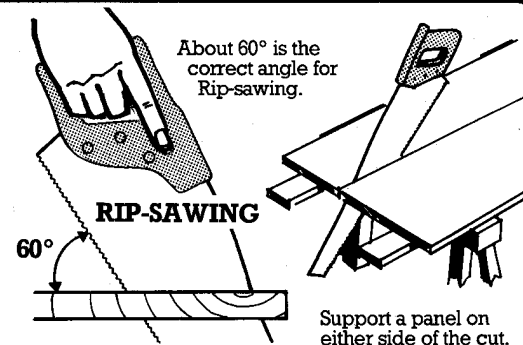


USEFUL HINTS

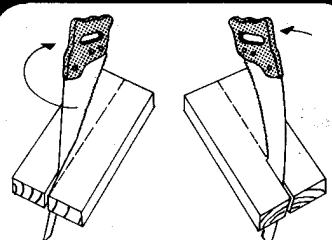
Pointing the first finger down the saw will help balance and gives better control.



About 60° is the correct angle for Rip-sawing.

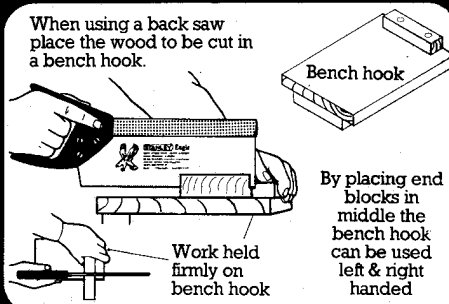


Support a panel on either side of the cut.



If saw leaves line, twist handle slightly and draw back to line.

If saw not square, bend it or bow the blade very carefully until the cut is corrected.



When using a back saw place the wood to be cut in a bench hook.

By placing end blocks in middle the bench hook can be used left & right handed