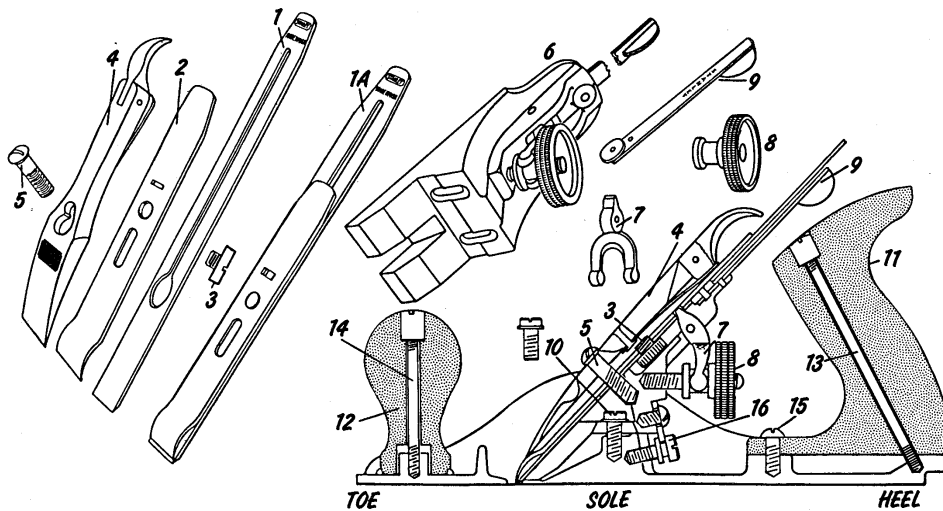


Stanley Planes: Parts and Adjustments

STANLEY

© Stanley Tools, Sheffield S3 9PD

Parts:



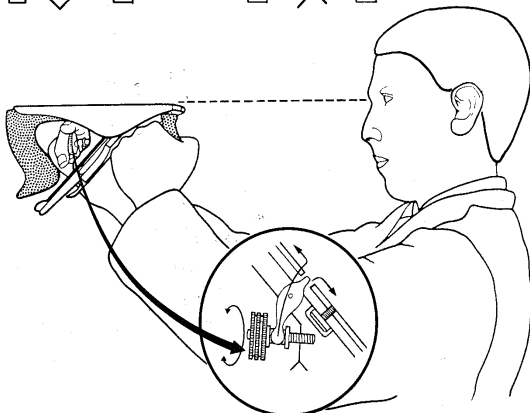
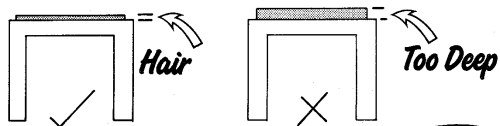
- 1A Double Plane Iron
- 1 Single " "
- 2 Cap Iron
- 3 Cap Iron Screw
- 4 Lever Cap
- 5 Lever Cap Screw
- 6 Frog Complete
- 7 "Y" Adjusting Lever
- 8 Adjusting Nut
- 9 Lateral Adjusting Lever
- 10 Frog Screw
- 11 Handle
- 12 Knob
- 13 Handle Bolt & Nut
- 14 Knob Bolt & Nut
- 15 Handle Screw
- 16 Frog Adjusting Screw

Bench Planes Safety & Maintenance

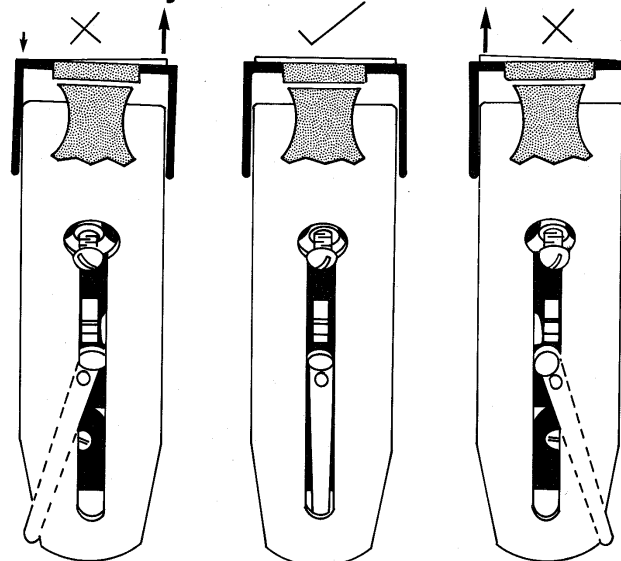
- * Place on side or in well of bench when not in use
- * Retract Cutter after use
- * Never run fingers along Sole of Plane
- * Never strop Cutter in palm of hand
- * Always keep Cutter sharp
- * Keep bare metal surfaces lightly oiled
- * Avoid excess pressure on Lever Cap

Can you add any more?

Depth of Cut

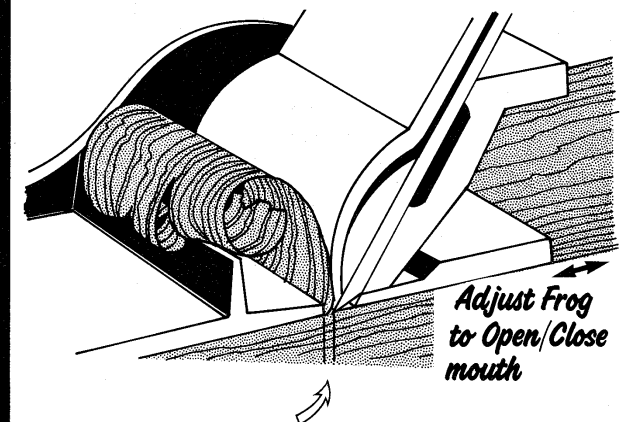


Lateral Adjustment



What would the result be if used with blade in this position?

Frog Adjustment



Mouth Opening: 1.0mm or less
for fine finish on hardwood
approx 2.0mm
for general purpose work.