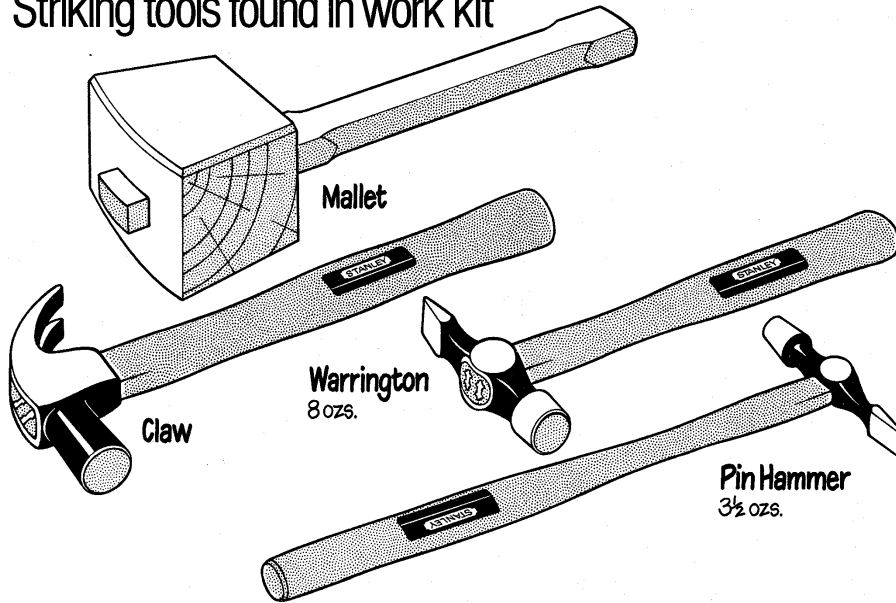


# How to use simple woodworking striking tools

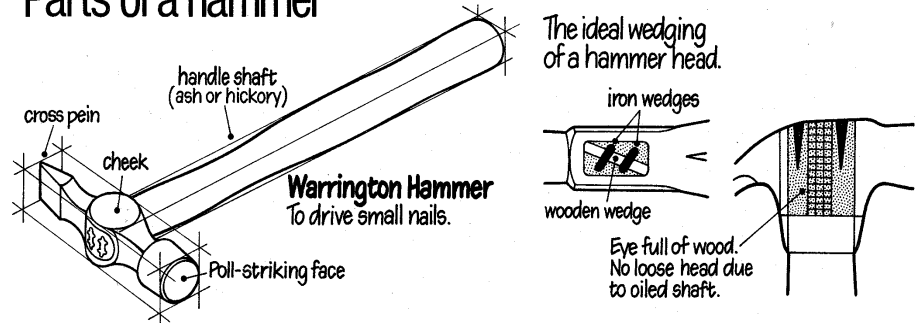
**STANLEY**

© Stanley Tools Limited, Sheffield S3 9PD

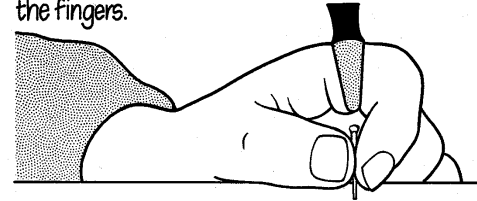
## Striking tools found in work kit



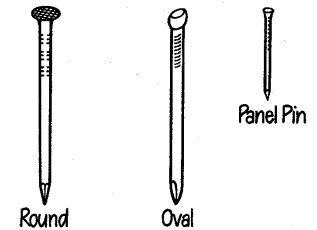
## Parts of a hammer



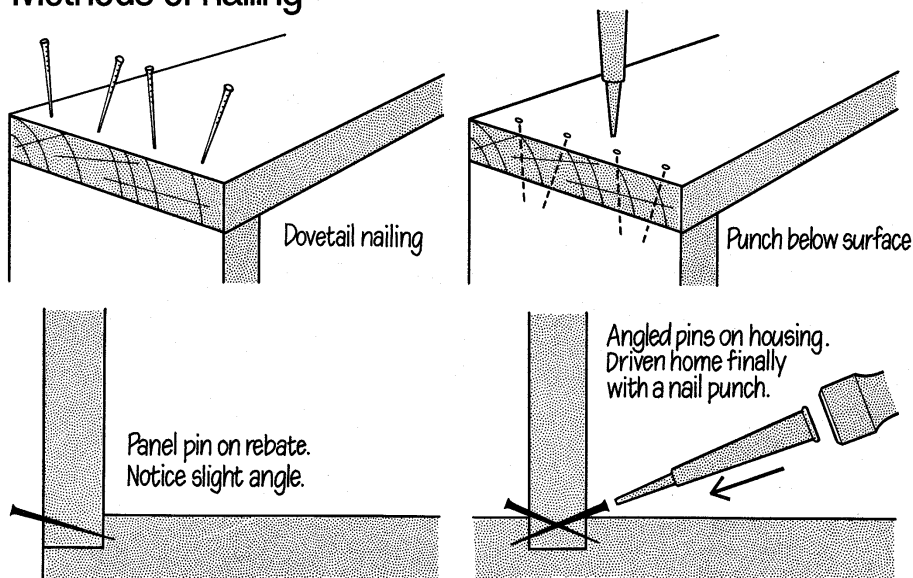
The cross pein of a Warrington hammer is used to start small nails held between the fingers.



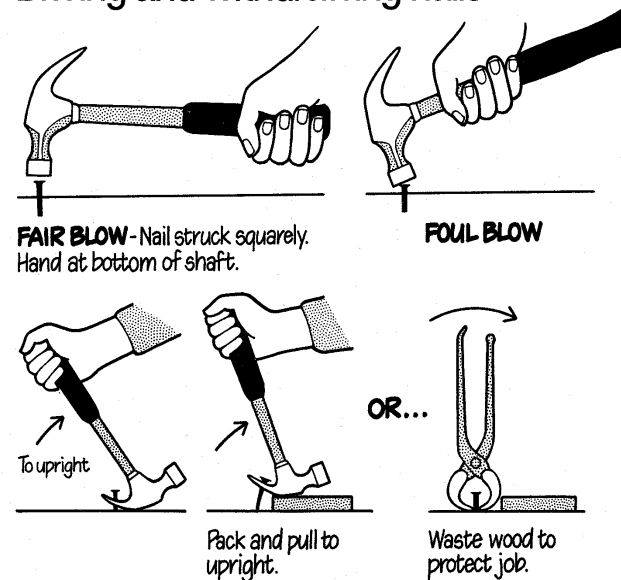
## Common nails



## Methods of nailing



## Driving and withdrawing nails



## Safety

- \* Use correct size hammer for job.
- \* Never strike two hammers together.
- \* Never use a hammer with a loose head.
- \* Wear eye protection for hard nails.
- \* Never use the side of a hammer.
- \* Keep clean and regularly inspect for wear.
- \* Never use a hammer with a damaged head.